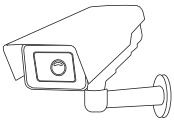




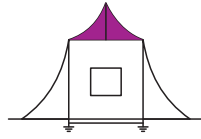
POE

# POE超薄、高集成度6KV防护方案

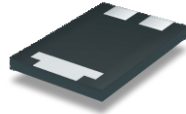
## 6KV protecting solutions of ultrathin and high integration POE



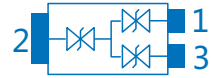
IP Camera



LPZ0<sub>B</sub>-2



BV-DFNT58CANH

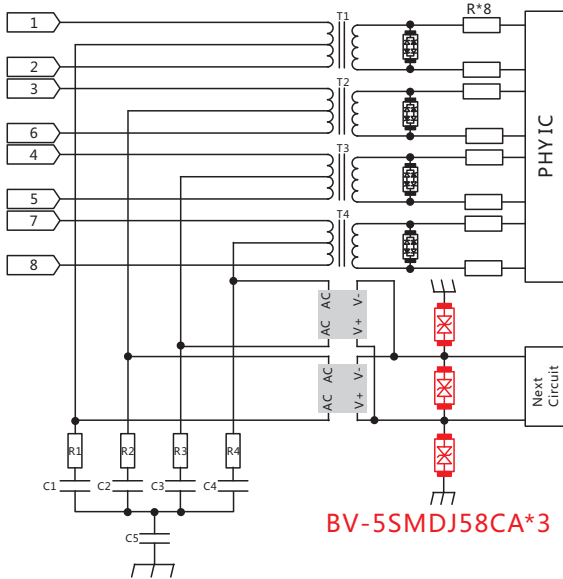


10/700-5/320μs 6KV-150A

V<sub>BR</sub>≥60V(Pin to Pin)

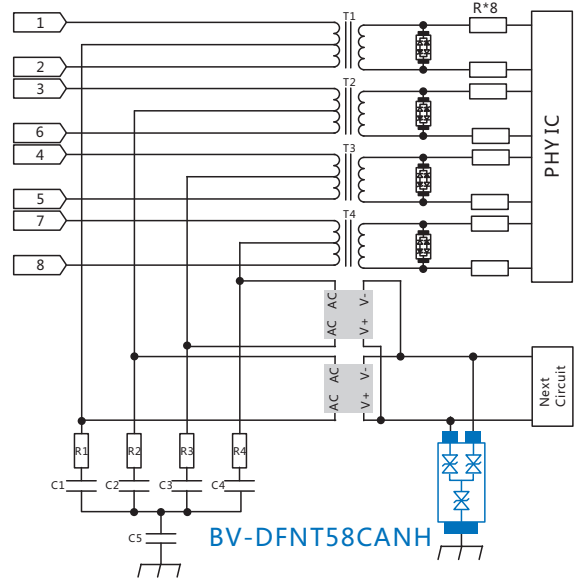
### 行业传统方案

Industrial traditional solutions



### 槟城创新方案

Bencent's innovative solutions



Off state Voltage		Breakdown Voltage		Clamp Voltage		Surge Waveform (μs)	Ppp (W)	Package	Size L*W*H (mm)	Mark BI
V <sub>DRM</sub> (V)	I <sub>DRM</sub> 25°C(μA) Max	V <sub>BR</sub> (V) Max	I <sub>R</sub> (mA)	V <sub>C</sub> (V) Max	I <sub>PP</sub> (A)					
58 (PIN1to2)	1 (Pin2to3 Pin1to3)	71.2 (PIN1to2 Pin2to3 Pin1to3)	1	93.6	53.5	10/1000	3000	SMC-T	8.0×5.9×3.0	C58CTS



深圳市槟城电子有限公司  
Shenzhen Bencent Electronics Co.,Ltd.  
+86-755-26515027/26515060-808  
www.bencent.com.cn